



# Technocraft Industries (India) Ltd.

## Titeseal Closure Product Data Sheet

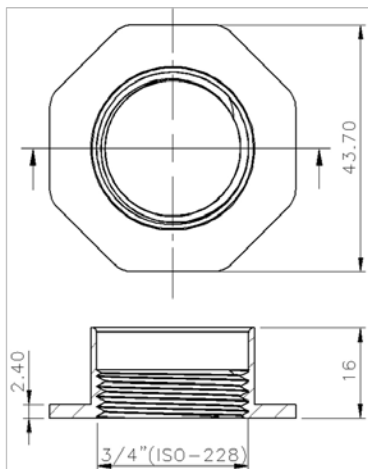
### 20 mm Metal Conventional Thick Base Flange Zinc Plated With Various Gaskets

#### General Information

- Manufactured in compliance with ISO-15750-3
- Threads comply with ISO-228
- Raw Material : HR Mild Steel
- Finish : Zinc Plated with Passivation in Chrome 3 and Chrome 6 per customer request.
- To obtain data on insertion process into drum head, our existing customers may [click here](#) to obtain insertion process bulletin and insertion gauge drawing specific to this flange insertion gauges are given free to our customers.

**Closure is available with any of following standard Technocraft gaskets. Special formulations available on request.** (To know about chemical compatibility for special products [click here](#) or send email or contact postally.)

- **Black Nitrile Gasket :** Black Nitrile Rubber (NBR) is resistant to petroleum Oils, Aromatic Hydrocarbons, Mineral Oils, Vegetable Oils and many Acids. Black Nitrile has excellent sealing properties.
- **White EPDM Gasket :** EPDM is a multi-purpose sealing material with good and excellent chemical properties. EPDM is FDA compliant. As plug gasket, it is not recommended for application involving petroleum derivatives.
- **Dual gasket consist of white EPDM gasket under black nitrile gasket.**
- **Viton Gasket :** Viton is a fluo-elastomer that resists a variety of corrosive fluids at elevated temperature while retaining its mechanical properties.



Item Code	
(For Chrome 6 Passivation)	
20mm Conventional Flange with	
Black Buna	– 3TFB
EPDM	– 3TFE
Dual	– 3TFD
Viton	– 3TFV
Neoprene	– 3TFN
(For Chrome 3 Passivation)	
20mm Conventional Flange with	
Black Buna	– 3TFB-CR3
EPDM	– 3TFE-CR3
Dual	– 3TFD-CR3
Viton	– 3TFV-CR3
Neoprene	– 3TFN-CR3

Standard Packing				
Item	Box Quantity	Box Size (mm)	Pallet Quantity	Pallet Size (inch)
20mm Flange	500	355 x 355 x 115	31500	44" x 44"
<ul style="list-style-type: none"> <li>• Boxes are marked with item code.</li> <li>• Pallets are stretch wrapped.</li> <li>• Optional Special packaging as per customer's requirement.</li> </ul>				

- More information can be availed by [clicking here](#) or by contacting our head quarters as per details on our web page.
- The raw material used confirms to the standard for Restriction Of hazardous Materials.