



# Technocraft Industries (India) Ltd.

## Titeseal Closure Product Data Sheet

### 20 mm Metal Patented GRT Flange Zinc Plated With Various Gaskets

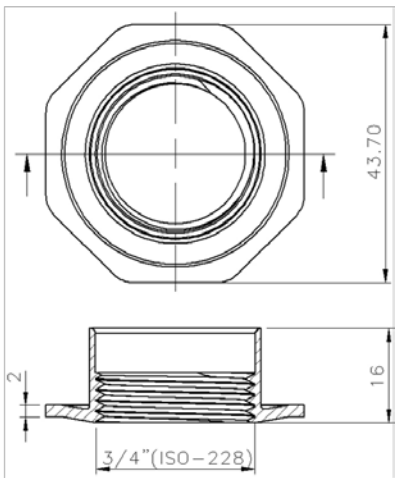
#### General Information

- *Manufactured in compliance with ISO-15750-3*
- *Threads comply with ISO-228*
- *Raw Material : HR Mild Steel*
- *Finish : Zinc Plated with Passivation in Chrome 3 and Chrome 6 per customer request.*
- *To obtain data on insertion process into drum head, our existing customers may [click here](#) to obtain insertion process bulletin and insertion gauge drawing specific to this flange insertion gauges are given free to our customers.*

**Closure is available with any of following standard Technocraft gaskets. Special formulations available on request.** (To know about chemical compatibility for special products [click here](#) or send email or contact postally.)

- **Black Nitrile Gasket :** Black Nitrile Rubber (NBR) is resistant to petroleum Oils, Aromatic Hydrocarbons, Mineral Oils, Vegetable Oils and many Acids. Black Nitile has excellent sealing properties.
- **White EPDM Gasket :** EPDM is a multi-purpose sealing material with good and excellent chemical properties. EPDM is FDA compliant. As plug gasket, it is not recommended for application involving petroleum derivatives.
- **Single large gasket in place of dual gasket.** This gives higher chemical compatibility as compared to dual gasket.

Item Code
(For Chrome 6 Passivation)
50mm GRT Flange with
Black Buna – 3TFBGRT
EPDM – 3TFEGRT
Large Black Buna – 3TFBLGRT
Large EPDM – 3TFELGRT
(For Chrome 3 Passivation)
50mm GRT Flange with
Black Buna – 3TFBGRT-CR3
EPDM – 3TFEGRT-CR3
Large Black Buna – 3TFBLGRT-CR3
Large EPDM – 3TFELGRT-CR3



Standard Packing				
Item	Box Quantity	Box Size (mm)	Pallet Quantity	Pallet Size (inch)
20mm Flange	500	355 x 355 x 115	31500	44" x 44"

- Boxes are marked with item code.
- Pallets are stretch wrapped.
- Optional Special packaging as per customer's requirement.

#### Advantages :

- These flanges can be fitted with the same insertions dies that are used for standard ones.
  - No change in toolings.
  - No Adjustment.
  - No production slowdown
- There is no licensing fee for the Drum manufacturer.
- Superior sealing with more vertical gasket flow.

- More information can be availed by [clicking here](#) or by contacting our head quarters as per details on our web page.
- The raw material used confirms to the standard for Restriction Of hazardous Materials.