



Technocraft Industries (India) Ltd.

Titeseal Closure Product Data Sheet

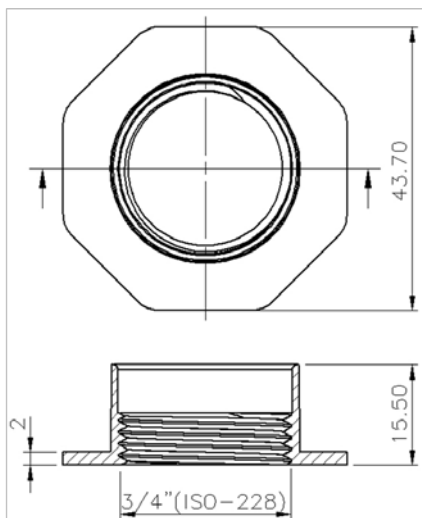
20 mm Metal RTT Flange Zinc Plated With Various Gaskets

General Information

- *Manufactured in compliance with ISO-15750-3*
- *Threads comply with ISO-228*
- *Raw Material : HR Mild Steel*
- *Finish : Zinc Plated with Passivation in Chrome 3 and Chrome 6 per customer request.*
- *To obtain data on insertion process into drum head, our existing customers may [click here](#) to obtain insertion process bulletin and insertion gauge drawing specific to this flange insertion gauges are given free to our customers.*

Closure is available with any of following standard Technocraft gaskets. Special formulations available on request. (To know about chemical compatibility for special products [click here](#) or send email or contact postally.)

- **Black Nitrile Gasket :** Black Nitrile Rubber (NBR) is resistant to petroleum Oils, Aromatic Hydrocarbons, Mineral Oils, Vegetable Oils and many Acids. Black Nitile has excellent sealing properties.
- **White EPDM Gasket :** EPDM is a multi-purpose sealing material with good and excellent chemical properties. EPDM is FDA compliant. As plug gasket, it is not recommended for application involving petroleum derivatives. .
- **Dual gasket consist of white EPDM gasket under black nitrile gasket.**
- **Viton Gasket :** Viton is a fluo-elastomer that resists a variety of corrosive fluids at elevated temperature while retaining its mechanical properties.



Item Code

(For Chrome 6 Passivation)
 20mm RTT Flange with
 Black Buna – 3RFB
 EPDM – 3RFE
 Dual – 3RFD
 Viton – 3RFV
 Neoprene – 3RFN

(For Chrome 3 Passivation)
 20mm RTT Flange with
 Black Buna – 3RFB-CR3
 EPDM – 3RFE-CR3
 Dual – 3RFD-CR3
 Viton – 3RFV-CR3
 Neoprene – 3RFN-CR3

Standard Packing

Item	Box Quantity	Box Size (mm)	Pallet Quantity	Pallet Size (inch)
20mm Flange	500	355 x 355 x 115	31500	44" x 44"

- Boxes are marked with item code.
- Pallets are stretch wrapped.
- Optional Special packaging as per customer's requirement.

- More information can be availed by [clicking here](#) or by contacting our head quarters as per details on our web page.
- The raw material used confirms to the standard for Restriction Of hazardous Materials.