



# Technocraft Industries (India) Ltd.

## Titeseal Closure Product Data Sheet

### 50mm Metal Conventional Thick Base Flange Zinc Plated With Various Gaskets

#### General Information

- *Manufactured in compliance with ISO-15750-3*
- *Threads comply with ISO-228*
- *Raw Material : HR Mild Steel*
- *Finish : Zinc Plated with Passivation in Chrome 3 and Chrome 6 per customer request.*
- *To obtain data on insertion process into drum head, our existing customers may [click here](#) to obtain insertion process bulletin and insertion gauge drawing specific to this flange insertion gauges are given free to our customers.*

**Closure is available with any of following standard Technocraft gaskets. Special formulations available on request.** (To know about chemical compatibility for special products [click here](#) or send email or contact postally.)

- **Black Nitrile Gasket :** Black Nitrile Rubber (NBR) is resistant to petroleum Oils, Aromatic Hydrocarbons, Mineral Oils, Vegetable Oils and many Acids. Black Nitrile has excellent sealing properties.
- **White EPDM Gasket :** EPDM is a multi-purpose sealing material with good and excellent chemical properties. EPDM is FDA compliant. As plug gasket, it is not recommended for application involving petroleum derivatives.
- **Dual gasket consist of white EPDM gasket under black nitrile gasket.**
- **Viton Gasket :** Viton is a fluo-elastomer that resists a variety of corrosive fluids at elevated temperature while retaining its mechanical properties.

#### Standard Packing

Item	Box Quantity	Box Size (mm)	Pallet Quantity	Pallet Size (inch)
50mm Flange	250	350(L) x 350(W) x 235(H)	9000	44" x 44"

- Boxes are marked with item code.
- Pallets are stretch wrapped.
- Optional Special packaging as per customer's requirement.

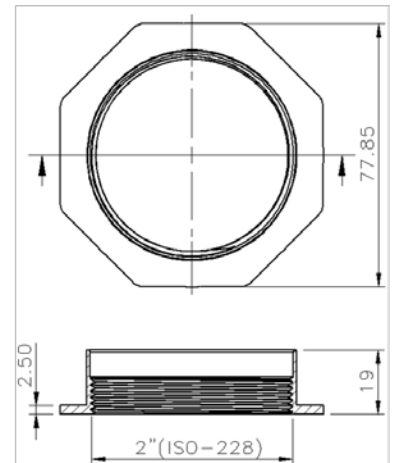
#### Item Code

(For Chrome 6 Passivation)

50mm Conventional Flange with  
 Black Buna – 2TFB  
 EPDM – 2TFE  
 Dual – 2TFD  
 Viton – 2TFV  
 Neoprene – 2TFN

(For Chrome 3 Passivation)

50mm Conventional Flange with  
 Black Buna – 2TFB-CR3  
 EPDM – 2TFE-CR3  
 Dual – 2TFD-CR3  
 Viton – 2TFV-CR3  
 Neoprene – 2TFN-CR3



- More information can be availed by [clicking here](#) or by contacting our head quarters as per details on our web page.
- The raw material used confirms to the standard for Restriction Of hazardous Materials.