



Technocraft Industries (India) Ltd.

Titeseal Closure Product Data Sheet

50mm Metal RTT Flange Zinc Plated With Various Gaskets

General Information

- *Manufactured in compliance with ISO-15750-3*
- *Threads comply with ISO-228*
- *Raw Material : HR Mild Steel*
- *Finish : Zinc Plated with Passivation in Chrome 3 and Chrome 6 per customer request.*
- *To obtain data on insertion process into drum head, our existing customers may [click here](#) to obtain insertion process bulletin and insertion gauge drawing specific to this flange insertion gauges are given free to our customers.*

Closure is available with any of following standard Technocraft gaskets. Special formulations available on request. (To know about chemical compatibility for special products [click here](#) or send email or contact postally.)

- *Black Nitrile Gasket : Black Nitrile Rubber (NBR) is resistant to petroleum Oils, Aromatic Hydrocarbons, Mineral Oils, Vegetable Oils and many Acids. Black Nitile has excellent sealing properties.*
- *White EPDM Gasket : EPDM is a multi-purpose sealing material with good and excellent chemical properties. EPDM is FDA compliant. As plug gasket, it is not recommended for application involving petroleum derivatives.*
- *Dual gasket consist of white EPDM gasket under black nitrile gasket.*
- *Viton Gasket : Viton is a fluo-elastomer that resists a variety of corrosive fluids at elevated temperature while retaining its mechanical properties.*

Standard Packing

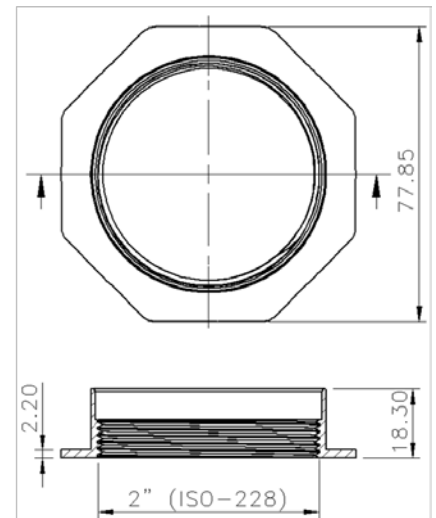
Item	Box Quantity	Box Size (mm)	Pallet Quantity	Pallet Size (inch)
50mm Flange	250	350(L) x 350(W) x 235(H)	9000	44" x 44"

- Boxes are marked with item code.
- Pallets are stretch wrapped.
- Optional Special packaging as per customer's requirement.

Item Code

(For Chrome 6 Passivation)
 50mm RTT Flange with
 Black Buna – 2RFB
 EPDM – 2RFE
 Dual – 2RFD
 Viton – 2RFV
 Neoprene – 2RFN

(For Chrome 3 Passivation)
 50mm RTT Flange with
 Black Buna – 2RFB-CR3
 EPDM – 2RFE-CR3
 Dual – 2RFD-CR3
 Viton – 2RFV-CR3
 Neoprene – 2RFN-CR3



- More information can be availed by [clicking here](#) or by contacting our head quarters as per details on our web page.
- The raw material used confirms to the standard for Restriction Of hazardous Materials.