



# Technocraft Industries (India) Ltd.

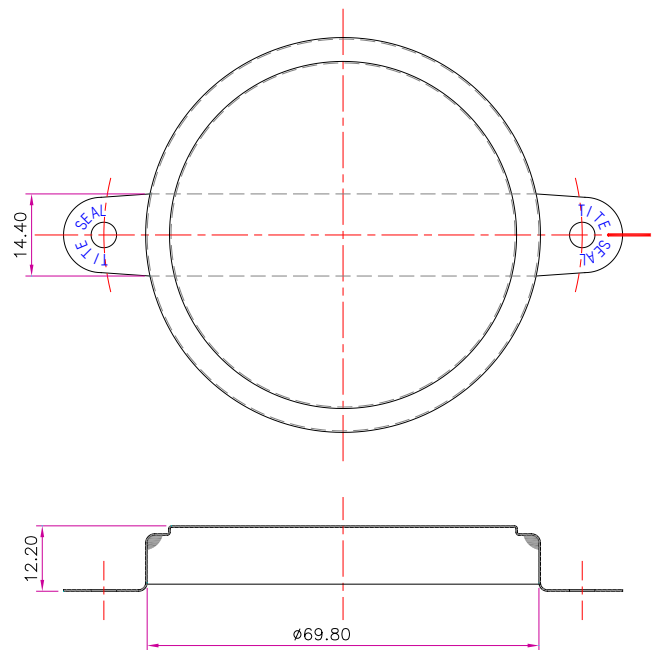
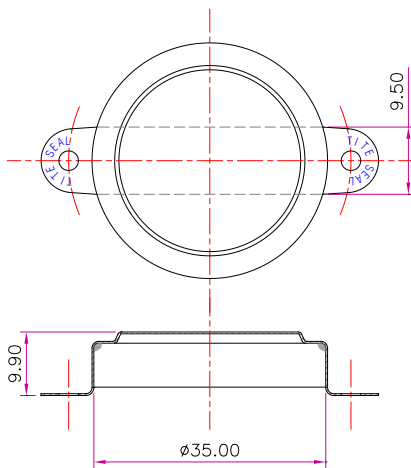
## Titeseal Closure Product Data Sheet 50mm and 20 mm Metal Capseal

### General Information

- **Raw Material :** Tin Plate (0.27mm to 0.32mm)
- **Lithography :**  
**External Side** → Base Size – RCDS White Coating → Customer design print on request.  
 → Protective Varnish.  
**Internal Side** → R C Internal Gold Coating
- **Pneumatic and Manual Sealing Tools** available.
- **Technocraft capseal makes the drum tamperproof and additionally leakproof.**
- **Packing :** Sealed in Polythelene bag and packed in corrugated box.
- **No leakage at 1.5 kg/cm<sup>2</sup> air pressure.**
- **We print special design as per requirement of the customer.**

**Item Code**  
**(For plain white capseal)**  
 50mm – 2TC  
 20mm – 3TC

**Special Item codes for  
 special designs**



### Standard Packing

Item	Box Quantity	Box Size	Pallet Quantity	Pallet Size
50mm Capseal	500	14.25"(L)x 14.25"(W) x 9.5"(H)	18000	44" x 44"
20mm Capseal	1000	14.25" x 7.25" x 7.75"	60000	44" x 44"

- Boxes are marked with item code.
- Pallets are stretch wrapped.
- Optional Special packaging as per customer's requirement.

- More information can be availed by [clicking here](#) or by contacting our head quarters as per details on our web page.
- The raw material used confirms to the standard for Restriction Of hazardous Materials.

## Technocraft Sealing Tools

Sealing tool is meant to seal metal capseals on to curled wall of flange fitted on drum to make the drum leak proof and tamper proof. Flange & plugs gaskets make drum leakproof. In case bung is little loose the leak through flange thread is sealed by capseal sitting on curled wall of flange.

### Manual Sealing Tool



**Item Code  
(For Sealing Tools)**

**50mm Capseal  
Manual Tool – 2TCSTM**

**20mm Capseal  
Manual Tool – 3TCSTM**

### Pneumatic Sealing Tool



**Item Code  
(For Sealing Tools)**

**50mm Capseal  
Pneumatic Tool – 2TCSTP**

**20mm Capseal  
Pneumatic Tool – 3TCSTP**

- More information can be availed by [clicking here](#) or by contacting our head quarters as per details on our web page.
- The raw material used confirms to the standard for Restriction Of hazardous Materials.