



Technocraft Industries (India) Ltd.

Titeseal Closure Product Data Sheet

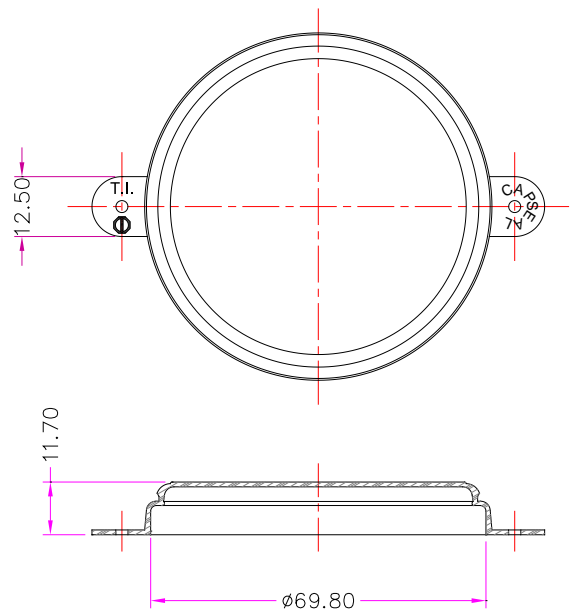
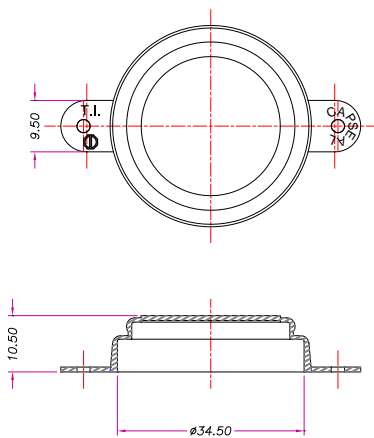
50mm and 20 mm Plastic Capseal

General Information

- Raw Material : Polyethylene
- This cap has an Aluminium crimp-ring.
- Pneumatic and Manual Sealing Tools available.
- Technocraft capseal makes the drum tamperproof and additionally leakproof.
- Packing : Sealed in Polythelene bag and packed in corrugated box.
- No leakage at 1.5 kg/cm² air pressure.
- We print special design as per requirement of the customer.

Item Code
 (For plain white capseal)
 50mm White – 2TCP
 20mm White – 3TCP

Special Item codes for special designs.



Standard Packing				
Item	Box Quantity	Box Size	Pallet Quantity	Pallet Size
50mm Capseal	500	14.5"(L) x 14.5"(W) x 7"(H)	22500	44" x 44"
20mm Capseal	1000	15.5" x 8" x 7"	75000	44" x 44"

- Boxes are marked with item code.
- Pallets are stretch wrapped.
- Optional Special packaging as per customer's requirement.

Technocraft Sealing Tools

Sealing tool is meant to seal Plastic capseals on to curled wall of flange fitted on drum to make the drum leak proof and tamper proof. Flange & plugs gaskets make drum leakproof. In case bung is little loose the leak through flange thread is sealed by capseal sitting on curled wall of flange.

Manual Sealing Tool



**Item Code
(For Sealing Tools)**

**50mm Capseal
Manual Tool – 2TCPSTM**

**20mm Capseal
Manual Tool – 3TCPSTM**

Pneumatic Sealing Tool



**Item Code
(For Sealing Tools)**

**50mm Capseal
Pneumatic Tool – 2TCPSTP**

**20mm Capseal
Pneumatic Tool – 3TCPSTP**

- More information can be availed by [clicking here](#) or by contacting our head quarters as per details on our web page.
- The raw material used confirms to the standard for Restriction Of hazardous Materials.