



Technocraft Industries (India) Ltd.

Titeseal Closure Product Data Sheet

50 mm and 20mm Poly Propelene Plug With Various Gaskets

General Information

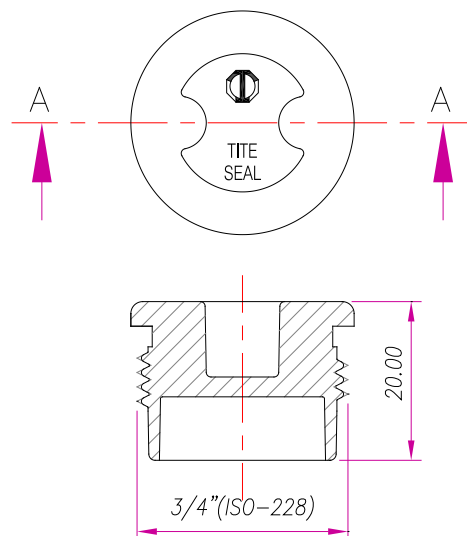
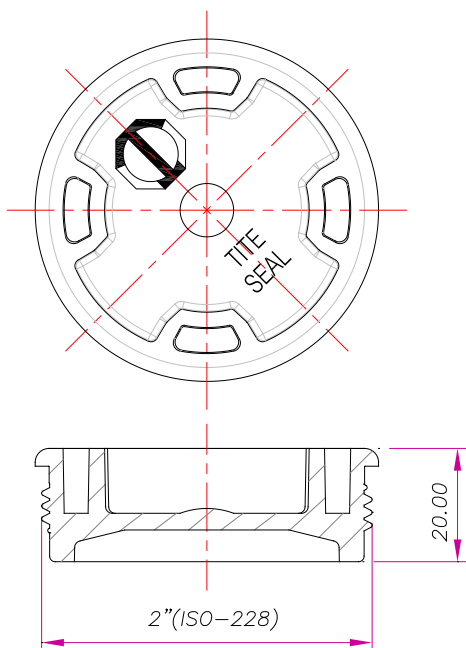
- Manufactured in compliance with ISO-15750-3
- Threads comply with ISO-228
- Raw Material : Poly Propelene
- Resistance upto 70°C. (158°F.) temperature.

Item Code	
50mm Plugs with	
Black Buna	– 2TPPB
EPDM	– 2TPPE
Square PE	– 2TPPSP
Round PE	– 2TPPRP
20mm Plugs with	
Black Buna	– 3TPPB
EPDM	– 3TPPE
Square PE	– 3TPPSP
Round PE	– 3TPPRP

Closure is available with any of following standard Technocraft gaskets. Special formulations available

on request. (To know about chemical compatibility for special products [click here](#) or send email or contact postally.)

- **Black Nitrile Gasket :** Black Nitrile Rubber (NBR) is resistant to petroleum Oils, Aromatic Hydrocarbons, Mineral Oils, Vegetable Oils and many Acids. Black Nitrile has excellent sealing properties.
- **EPDM Gasket :** EPDM is a multi-purpose sealing material with good and excellent chemical properties. EPDM is FDA compliant. As plug gasket, it is not recommended for application involving petroleum derivatives.
- **Square PE Gasket :** Square PE gasket due to nature of the Polythelene (PE) have limited heat resistance and are subject to "Cold Flow" and as such to loss of compression / closing torque.
- **Round PE Gasket :** Square PE gasket due to nature of the Polythelene (PE) have limited heat resistance and are subject to "Cold Flow" and as such to loss of compression / closing torque.



Torque Information

Washer Type	¾” Closure		2” Closure	
	Ftlbs	Nm	Ftlbs	Nm
Black Nitrile	8 – 15	11 – 20	15 – 25	20 – 34
White EPDM	8 – 15	11 – 20	15 – 25	20 – 34
Round Poly Irradiated	8 – 15	11 – 20	15 – 25	20 – 34
Square Poly irradiated	8 – 15	11 – 20	18 – 25	20 – 34

Standard Packing

Item	Box Quantity	Box Size (mm)	Pallet Quantity	Pallet Size (inch)
50mm Plug	500	525 x 345 x 250	12000	44” x 44”
20mm Plug	1000	360 x 360 x 135	54000	44” x 44”

- Boxes are marked with item code.
- Pallets are stretch wrapped.
- Optional Special packaging as per customer's requirement.

- More information can be availed by [clicking here](#) or by contacting our head quarters as per details on our web page.
- The raw material used confirms to the standard for Restriction Of hazardous Materials.