



Technocraft Industries (India) Ltd.

Titeseal Closure Product Data Sheet

Stainless Drum Closure With Various Gaskets

General Information

- *Manufactured in compliance with ISO-15750-3*
- *Threads comply with ISO-228*
- *Raw Material : 316L Stainless Steel*
- *Finish : Natural Stainless Steel*
- *To obtain data on insertion process into drum head, our existing customers may [click here](#) to obtain insertion process bulletin and insertion gauge drawing specific to this flange insertion gauges are given free to our customers.*

Closure is available with any of following standard Technocraft gaskets. Special formulations available on request. (To know about chemical compatibility for special products [click here](#) or send email or contact postally.)

- *Black Nitrile Gasket : Black Nitrile Rubber (NBR) is resistant to petroleum Oils, Aromatic Hydrocarbons, Mineral Oils, Vegetable Oils and many Acids. Black Nitrile has excellent sealing properties.*
- *White EPDM Gasket : EPDM is a multi-purpose sealing material with good and excellent chemical properties. EPDM is FDA compliant. As plug gasket, it is not recommended for application involving petroleum derivatives.*
- *Square PE Gasket (For Plug) : Square PE gasket due to nature of the Polythelene (PE) have limited heat resistance and are subject to "Cold Flow" and as such to loss of compression / closing torque.*
- *Round PE Gasket (For Plug) : Square PE gasket due to nature of the Polythelene (PE) have limited heat resistance and are subject to "Cold Flow" and as such to loss of compression / closing torque.*
- *Square Poly Irradiated gasket (For Plug) : Improved heat resistance due to nature of Polythelene (PE) the washers are subject to "Cold Flow" and as such to loss of compression / closing torque.*
- *Round Poly Irradiated gasket(For Plug) : Improved heat resistance due to nature of Polythelene (PE) the washers are subject to "Cold Flow" and as such to loss of compression / closing torque.*
- *Viton Gasket : Viton is a fluo-elastomer that resists a variety of corrosive fluids at elevated temperature while retaining its mechanical properties.*
- *Teflon Gasket (For Plug): Although Teflon has excellent chemical resistance. However, its sealing capability is very poor! As such Teflon is not suitable as flange gasket. Due to its poor sealinh properties Teflon is not recommended as plug gasket. Testing under field conditions will be required to determine the appropriate closing torque.*

Item Code

50mm Flange with
Black Buna – 2TFBSS
EPDM – 2TFESS
Viton – 2TFVSS
Neoprene – 2TFNSS

20mm Flange with
Black Buna – 3TFBSS
EPDM – 3TFESS
Viton – 3TFVSS
Neoprene – 3TFNSS

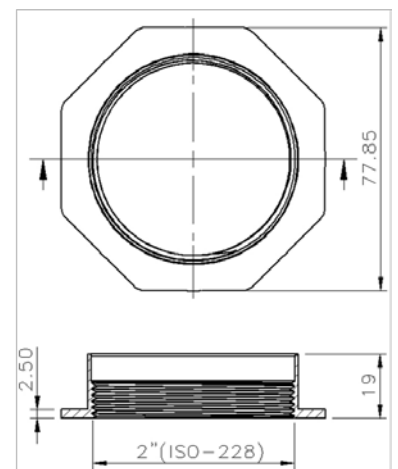
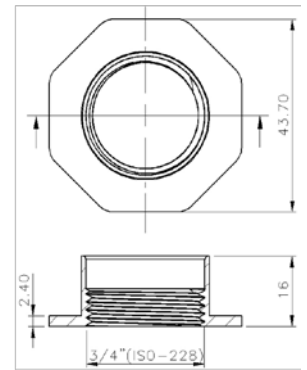
50mm Plug with
Black Buna – 2TPBSS
EPDM – 2TPESS
Round PE – 2TPRPSS
Square PE – 2TPSPSS
Round Poly Irradiated – 2TPRISS
Square Poly Irradiated – 2TPISS
Teflon – 2TPTSS
Viton – 2TPVSS
Neoprene – 2TPNSS

20mm Plug with
Black Buna – 3TPBSS
EPDM – 3TPESS
Round PE – 3TPRPSS
Square PE – 3TPSPSS
Round Poly Irradiated – 3TPRISS
Square Poly Irradiated – 3TPISS
Teflon – 3TPTSS
Viton – 3TPVSS
Neoprene – 3TPNSS



Torque and Temperature Information

Gasket	Temp. (Max)	Oven Time (Max)	20mm (3/4") #	50mm (2") #
Black Nitrile (Black Buna) for Flange & Bung	220° C	15 mins.	8 – 15 ft.lbs 11 – 20 Nm	15 – 25 ft.lbs 20 – 34 Nm
White Buna for Flange & Bung	180° C	20 mins.	8 – 15 ft.lbs 11 – 20 Nm	15 – 25 ft.lbs 20 – 34 Nm
White EPDM for Flange & Bung	205° C	20 mins.	8 – 15 ft.lbs 11 – 20 Nm	15 – 25 ft.lbs 20 – 34 Nm
Black EPDM for Flange & Bung	180° C	20 mins.	8 – 15 ft.lbs 11 – 20 Nm	15 – 25 ft.lbs 20 – 34 Nm
Polyethylene Round Cross Section Square Cross Section for Bung	N.A	N.A	8 – 15 ft.lbs 11 – 20 Nm	15 – 25 ft.lbs 20 – 34 Nm
Irradiated Polyethylene Square Cross Section for Bung	250° C	20 mins.	8 – 15 ft.lbs 11 – 20 Nm	18 – 25 ft.lbs 24 – 34 Nm
Viton for Flange & Bung	230° C	15 mins.	8 – 15 ft.lbs 11 – 20 Nm	15 – 25 ft.lbs 20 – 34 Nm
Teflon for Flange & Bung	107° C	15 mins.	10 – 15 ft.lbs 14 – 20 Nm	18 – 25 ft.lbs 24 – 34 Nm

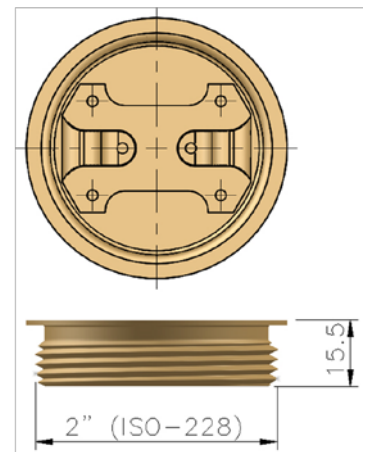
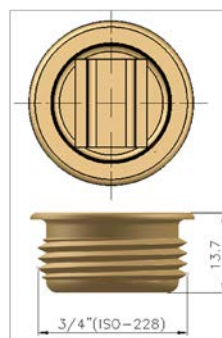


Minimum values are meant for Drum Maker and Maximum for Drum Filler

Standard Packing

Item	Box Quantity	Box Size (mm)
50mm Flange	100	300(L) x 300(W) x 150(H)
20mm Flange	100	180 x 180 x 85
50mm Plug	100	210 x 180 x 190
20mm Plug	100	125 x 125 x 85

- Boxes are marked with item code.
- Pallets are stretch wrapped.
- Optional Special packaging as per customer's requirement.



- More information can be availed by [clicking here](#) or by contacting our head quarters as per details on our web page.