



Technocraft Industries (India) Ltd.

Titeseal Closure Product Data Sheet

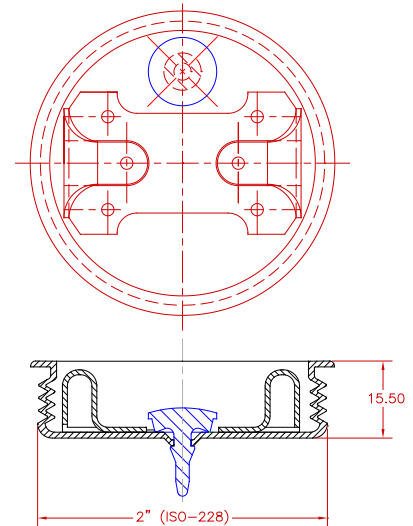
50 mm Metal Vent-Out Plug Zinc Plated With Various Gaskets

General Information

- *Manufactured in compliance with ISO-15750-3*
- *Threads comply with ISO-228*
- *Raw Material : CR Mild Steel*
- *Finish : Zinc Plated with Passivation in Chrome 3 and Chrome 6 per customer request.*

Closure is available with any of following standard Technocraft gaskets. Special formulations available on request. (To know about chemical compatibility for special products [click here](#) or send email or contact postally.)

- *Black Nitrile Gasket : Black Nitrile Rubber (NBR) is resistant to petroleum Oils, Aromatic Hydrocarbons, Mineral Oils, Vegetable Oils and many Acids. Black Nitrile has excellent sealing properties.*
- *White EPDM Gasket : EPDM is a multi-purpose sealing material with good and excellent chemical properties. EPDM is FDA compliant. As plug gasket, it is not recommended for application involving petroleum derivatives.*
- *Square PE Gasket : Square PE gasket due to nature of the Polythelene (PE) have limited heat resistance and are subject to "Cold Flow" and as such to loss of compression / closing torque.*
- *Round PE Gasket : Square PE gasket due to nature of the Polythelene (PE) have limited heat resistance and are subject to "Cold Flow" and as such to loss of compression / closing torque.*
- *Square Poly Irradiated gasket : Improved heat resistance due to nature of Polythelene (PE) the washers are subject to "Cold Flow" and as such to loss of compression / closing torque.*
- *Round Poly Irradiated gasket : Improved heat resistance due to nature of Polythelene (PE) the washers are subject to "Cold Flow" and as such to loss of compression / closing torque.*
- *Viton Gasket : Viton is a fluo-elastomer that resists a variety of corrosive fluids at elevated temperature while retaining its mechanical properties.*
- *Teflon Gasket : Although Teflon has excellent chemical resistance. However, its sealing capability is very poor! As such Teflon is not suitable as flange gasket. Due to its poor sealinh properties Teflon is not recommended as plug gasket. Testing under field conditions will be required to determine the appropriate closing torque.*



Torque and Temperature Information

Gasket	Temp. (Max)	Oven Time (Max)	50mm (2") #
Black Nitrile (Black Buna) for Flange & Bung	220 ^o C	15 mins.	15 – 25 ft.lbs 20 – 34 Nm
White Buna for Flange & Bung	180 ^o C	20 mins.	15 – 25 ft.lbs 20 – 34 Nm
White EPDM for Flange & Bung	205 ^o C	20 mins.	15 – 25 ft.lbs 20 – 34 Nm
Black EPDM for Flange & Bung	180 ^o C	20 mins.	15 – 25 ft.lbs 20 – 34 Nm
Polyethylene Round Cross Section Square Cross Section for Bung	N.A	N.A	15 – 25 ft.lbs 20 – 34 Nm
Irradiated Polyethylene Square Cross Section for Bung	250 ^o C	20 mins.	18 – 25 ft.lbs 24 – 34 Nm
Viton for Flange & Bung	230 ^o C	15 mins.	15 – 25 ft.lbs 20 – 34 Nm
Teflon for Flange & Bung	107 ^o C	15 mins.	18 – 25 ft.lbs 24 – 34 Nm

Technocraft offers Vent-In & Vent-Out Plugs that protect drum from differential pressure damage.

When Drum Filler fills a product which creates internal Vapour pressure, Vent-Out plugs release the same. Vent-In plugs do the same if vacuum gets created in the drum. Both plugs vent at differential pressure of 8.5 psi.

Minimum values are meant for Drum Maker and Maximum for Drum Filler

Item Code

(For Chrome 6 Passivation)

Plugs with	
Black Buna	– 2TPBVENTOUT
Square EPDM	– 2TPEVENTOUT
Round EPDM	– 2TPREVENTOUT
Square PE	– 2TPSPVENTOUT
Round PE	– 2TPRPVENTOUT
Square Poly Irradiated	– 2TPIVENTOUT
Round Poly Irradiated	– 2TPRIVENTOUT
Viton	– 2TPVVENTOUT
Teflon	– 2TPTVENTOUT
Neoprene	– 2TPNVENTOUT

(For Chrome 3 Passivation)

Plugs with	
Black Buna	– 2TPBVENTOUT-CR3
Square EPDM	– 2TPEVENTOUT-CR3
Round EPDM	– 2TPREVENTOUT-CR3
Square PE	– 2TPSPVENTOUT-CR3
Round PE	– 2TPRPVENTOUT-CR3
Square Poly Irradiated	– 2TPIVENTOUT-CR3
Round Poly Irradiated	– 2TPRIVENTOUT-CR3
Viton	– 2TPVVENTOUT-CR3
Teflon	– 2TPTVENTOUT-CR3
Neoprene	– 2TPNVENTOUT-CR3

Standard Packing

Item	Box Quantity	Box Size	Pallet Quantity	Pallet Size
50mm Plug	250	360 x 360 x 135	15750	44" x 44"

- Boxes are marked with item code.
- Pallets are stretch wrapped.
- Optional Special packaging as per customer's requirement.

- More information can be availed by [clicking here](#) or by contacting our head quarters as per details on our web page.
- The raw material used confirms to the standard for Restriction Of hazardous Materials.