



Technocraft Industries (India) Ltd.

Titeseal Closure Product Data Sheet

50 mm and 20mm Poly Propylene Plug With Various Gaskets

General Information

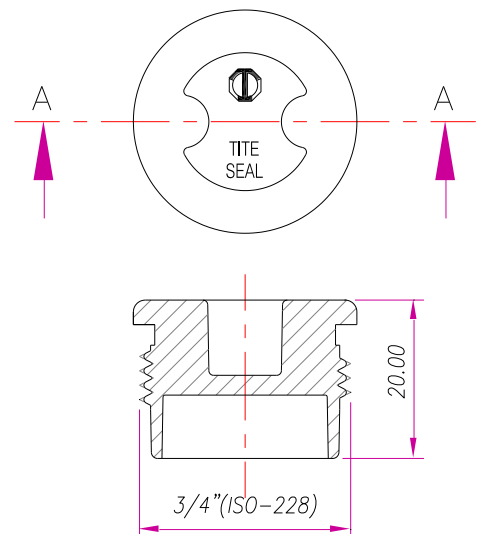
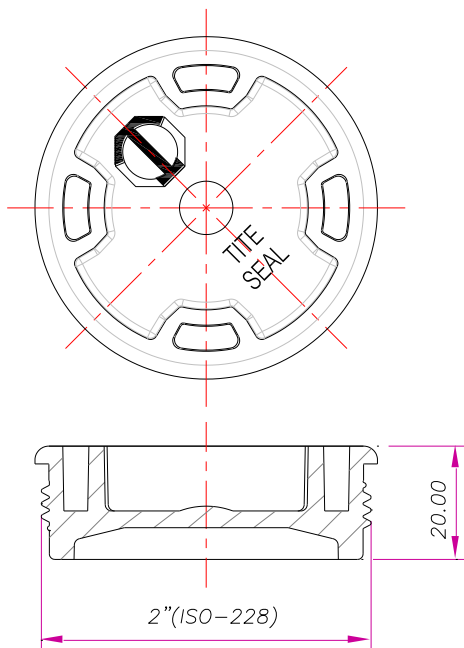
- *Manufactured in compliance with ISO-15750-3*
- *Threads comply with ISO-228*
- *Raw Material : Poly Propylene*
- *Resistance upto 70°C. (158°F.) temperature.*

Closure is available with any of following standard Technocraft gaskets. Special formulations available

on request. (To know about chemical compatibility for special products [click here](#) or send email or contact postally.)

- **Black Nitrile Gasket :** *Black Nitrile Rubber (NBR) is resistant to petroleum Oils, Aromatic Hydrocarbons, Mineral Oils, Vegetable Oils and many Acids. Black Nitrile has excellent sealing properties.*
- **EPDM Gasket :** *EPDM is a multi-purpose sealing material with good and excellent chemical properties. EPDM is FDA compliant. As plug gasket, it is not recommended for application involving petroleum derivatives.*
- **Square PE Gasket :** *Square PE gasket due to nature of the Polythelene (PE) have limited heat resistance.*
- **Round PE Gasket :** *Square PE gasket due to nature of the Polythelene (PE) have limited heat resistance.*

Item Code	
50mm Plugs with	
Black Buna	- 2TPPB
EPDM	- 2TPPE
Square PE	- 2TPPSP
Round PE	- 2TPPRP
20mm Plugs with	
Black Buna	- 3TPPB
EPDM	- 3TPPE
Square PE	- 3TPPSP
Round PE	- 3TPPRP



Torque Information

Washer Type	¾” Closure		2” Closure	
	Ftlbs	Nm	Ftlbs	Nm
Black Nitrile	8 – 12	11 – 16	22 – 30	30 – 41
White EPDM	8 – 12	11 – 16	22 – 30	30 – 41
Round Poly Irradiated	8 – 12	11 – 16	22 – 30	30 – 41
Square Poly irradiated	8 – 12	11 – 16	22 – 30	30 – 41

Above values are meant for Drum Maker and Drum Filler

Standard Packing

Item	Box Quantity	Box Size (mm)	Pallet Quantity	Pallet Size (inch)
50mm Plug	500	525 x 345 x 250	12000	44” x 44”
20mm Plug	1000	360 x 360 x 135	54000	44” x 44”

- Boxes are marked with item code.
- Pallets are stretch wrapped.
- Optional Special packaging as per customer's requirement.

- More information can be availed by [clicking here](#) or by contacting our head quarters as per details on our web page.
- The raw material used confirms to the standard for Restriction Of hazardous Materials.