



# Technocraft Industries (India) Ltd.

## Titeseal Closure Product Data Sheet

### 50 mm and 20mm Nylon Vent-Out Plug With Various Gaskets

#### General Information

- *Manufactured in compliance with ISO-15750-3*
- *Threads comply with ISO-228*
- *Raw Material : Nylon*

**Closure is available with any of following standard Technocraft gaskets. Special formulations**

**available on request.** (To know about chemical compatibility for special products [click here](#) or send email or contact postally.)

- **Black Nitrile Gasket :** Black Nitrile Rubber (NBR) is resistant to petroleum Oils, Aromatic Hydrocarbons, Mineral Oils, Vegetable Oils and many Acids. Black Nitrile has excellent sealing properties.
- **EPDM Gasket :** EPDM is a multi-purpose sealing material with good and excellent chemical properties. EPDM is FDA compliant. As plug gasket, it is not recommended for application involving petroleum derivatives.
- **Square Poly Irradiated gasket :** Improved heat resistance and improved chemical resistance due to cross-linking by electron beam radiation.
- **Round Poly Irradiated gasket (For 2" Plug only) :** Improved heat resistance and improved chemical resistance due to cross-linking by electron beam radiation.

#### Item Code

##### 50mm Plugs with

Black Buna – 2TNPBVENTOUT

EPDM – 2TNPEVENTOUT

Square Poly Irradiated – 2TNPIVENTOUT

Round Poly Irradiated – 2TNPRIVENTOUT

##### 20mm Plugs with

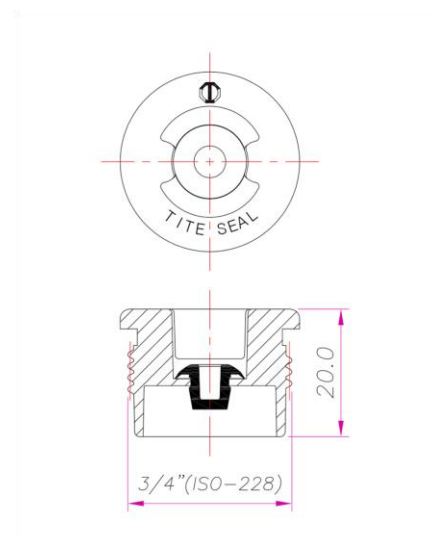
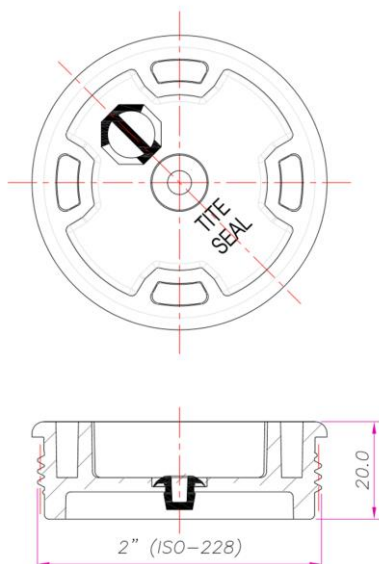
Black Buna – 3TNPBVENTOUT

EPDM – 3TNPEVENTOUT

Poly Irradiated – 3TNPIVENTOUT

Technocraft offers Vent-In & Vent-Out Plugs that protect drum from differential pressure damage.

When Drum Filler fills a product which creates internal Vapour pressure, Vent-Out plugs release the same. Vent-In plugs do the same if vacuum gets created in the drum. Both plugs vent at differential pressure of 3.6 psi.



## Torque Information

Washer Type	¾" Closure		2" Closure	
	ftlbs	Nm	Ftlbs	Nm
Black Nitrile	8 – 12	11 – 16	10 – 15	14 – 20
White EPDM	8 – 12	11 – 16	10 – 15	14 – 20
Round Poly Irradiated	-	-	10 – 15	14 – 20
Square Poly irradiated	8 – 12	11 – 16	10 – 15	14 – 20



### Standard Packing

Item	Box Quantity	Box Size (mm)	Pallet Quantity	Pallet Size (inch)
50mm Plug	500	525 x 345 x 250	12000	44" x 44"
20mm Plug	1000	360 x 360 x 135	54000	44" x 44"

- Boxes are marked with item code.
- Pallets are stretch wrapped.
- Optional Special packaging as per customer's requirement.

- More information can be availed by [clicking here](#) or by contacting our head quarters as per details on our web page.
- The raw material used confirms to the standard for Restriction Of hazardous Materials.